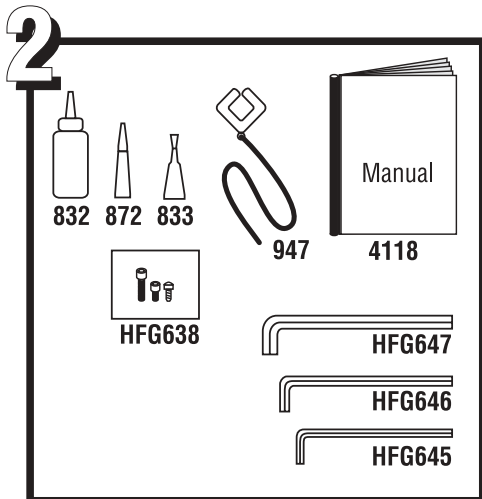


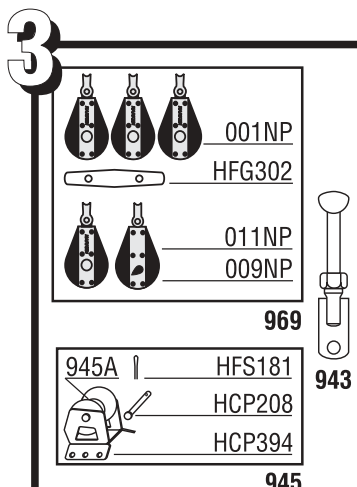
1 - Upper Assembly & Components

- 980 Connector Screw Set (69)
HFG301 Fastener - 10-32 x .250 18-8 Slit Fl
- 981 Wedge Set (26)
HFG216 Connector Wedge
- 971 Collar Locking Collar
- 963 Trim Cap
- 958 Extrusion - 7' Luff
- 972 Extrusion - 2' Luff
- 960 Connector - 10" - Rod
- 1032 Connector 10" - Wire
- 961 Connector - 13" Bottom Rod
- 1033 Connector - 13" Bottom Wire
- 1037 Halyard Swivel
4456 Label - Up
2125 Shackle - 10 mm Twist
2124 Shackle - 10 mm Bow
- HCP726 Snap Ring - Large (order 2)
HCP725 Snap Ring - Small
- HBB7 Ball Bearing - 3/8" Torlon (order 81)
HBB21 Ball Bearing - 1/2" Torlon (order 23)
- 1091 Torque Tube
HFS337 Fastener - M10x1.50x40 316 Sk Cap (order 2)
- 962 Feeder
HFS192 Fastener - 10-32 x 3/8" 18-8 Slit Ov (order 2)
- HFG135 Extrusion Set (10 Long, 1 Short)
958 Extrusion - 7' Luff
959 Extrusion - 2' Luff
- HFG637 Fastener Set - Torque Tube (4)
HFS336 Fastener - M8x1.25x16 A4 Sk Cap



2 - Accessories

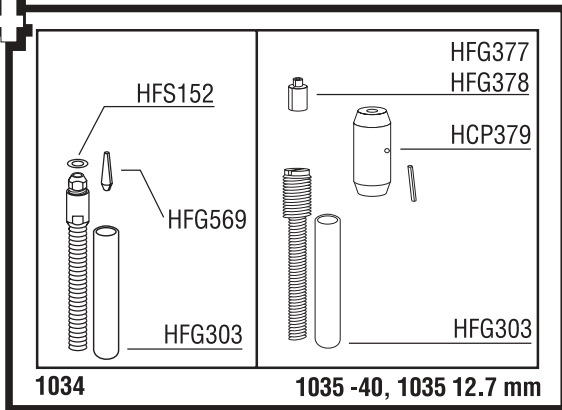
- 4118 Manual - Furling
- 833 Loctite - Blue
- 832 Loctite - Red
- 872 Super Glue
- 947 Prefeeder - Phenolic w/Line
- HFG638 Fastener Set - Spare
- HFG645 Wrench - M6 Allen Short
- HFG646 Wrench - M8 Allen Short
- HFG647 Wrench - M10 Allen Long



3 - Optional Parts

- 969 Kit - Lead Block
009NP Block - 3.00" Hex Stbd
011NP Block - 3" Cruising
001NP Block - 2.25" Swivel
HFG302 Cleat - 5" Black
- 943 Isomat Adapter - 3/4" (19 mm)
- 945 Halyard Restrainer - Large
945A Sheave & SS Inner Race Only
HCP208 Clevis Pin - 5/16" x 1.250" 18-8
HCP394 Bracket - Large Halyard Restrainer
HFS181 Cotter Pin - 3/32" x .750" 18-8

4



4 - Studs & Components

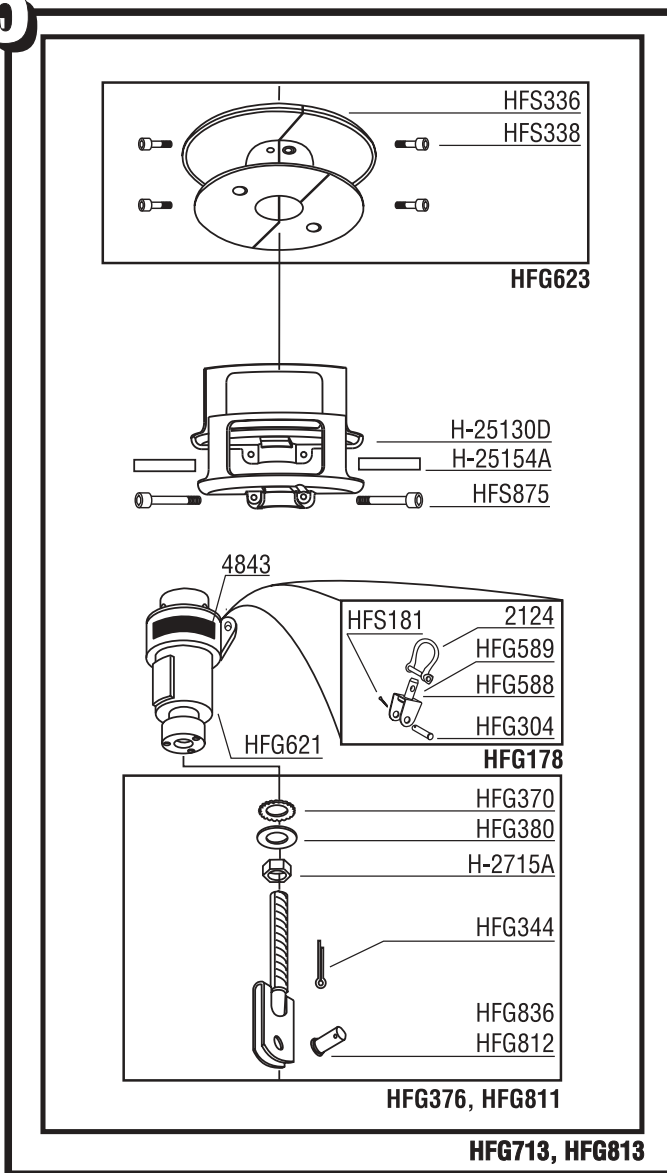
Sta-Lok Stud

- 1034 Stud - $\frac{9}{16}$ " (14 mm) Sta-Lok
Wedge - $\frac{9}{16}$ " (14 mm) Sta-Lok
Washer - $\frac{5}{8}$ " .075 x .688 x 1.5 18-8 FW
Stud-Cap - $\frac{7}{8}$ " ID x 5.5" Red

Rod

- 1035 -40 Stud -40 Rod Adpt w/Nosepiece Navtec
Stud - Main Body w/Housing & Drive Pin
Nosepiece -40 Navtec
Stud-Cap - $\frac{7}{8}$ " ID x 5.5" Red
- 1035 12.7 mm Stud -40 Rod Adpt w/Nosepiece Riggarna
Stud - Main Body w/Housing & Drive Pin
Nosepiece 12.7 mm Riggarna
Stud-Cap - $\frac{7}{8}$ " ID x 5.5" Red

5



5 - Drum Assembly & Components

- HFG713 Drum Assembly $\frac{7}{8}$ " Clevis - Complete
- HFG813 Drum Assembly 1" Clevis - Complete
- HFG623 Spool Assembly - Complete
- HFS336 M8 x 1.25X16 A4 SK Cap (4)
- HFS338 M4 X 8 18-8 PH OV (2)
- H-25130D Line Guard (order 2)
- HFS875 Fastener - M12 x 1.75 x 70 mm SK Screw (order 2)
- H-25154A Mylar Guard Clamp Shim (order 2)
- HFG376 Lower Toggle - $\frac{7}{8}$ " Clevis Pin
- HFG811 Lower Toggle - 1" Clevis Pin
- HFG836 Clevis Pin - $\frac{7}{8}$ " Lower Toggle
- HFG812 Clevis Pin - 1" Lower Toggle
- HFS344 Cotter Pin
- H-2715A Lock Nut
- HFG370 Lock Wash - Toggle
- HFG380 Flat Washer - Lower Toggle
- HFG621 Hub - w/o Lower Toggle
- 4843 Label Tack Swivel
- HFG178 Tack Shackle Assembly
- 2124 Shackle - 10 mm Bow
- HFG588 Swivel Bracket w/Swivel Pin
- HFG304 Clevis Pin - $\frac{3}{8}$ " X 1.500" 18-8
- HFS181 Cotter Pin - .094 x .750 18-8