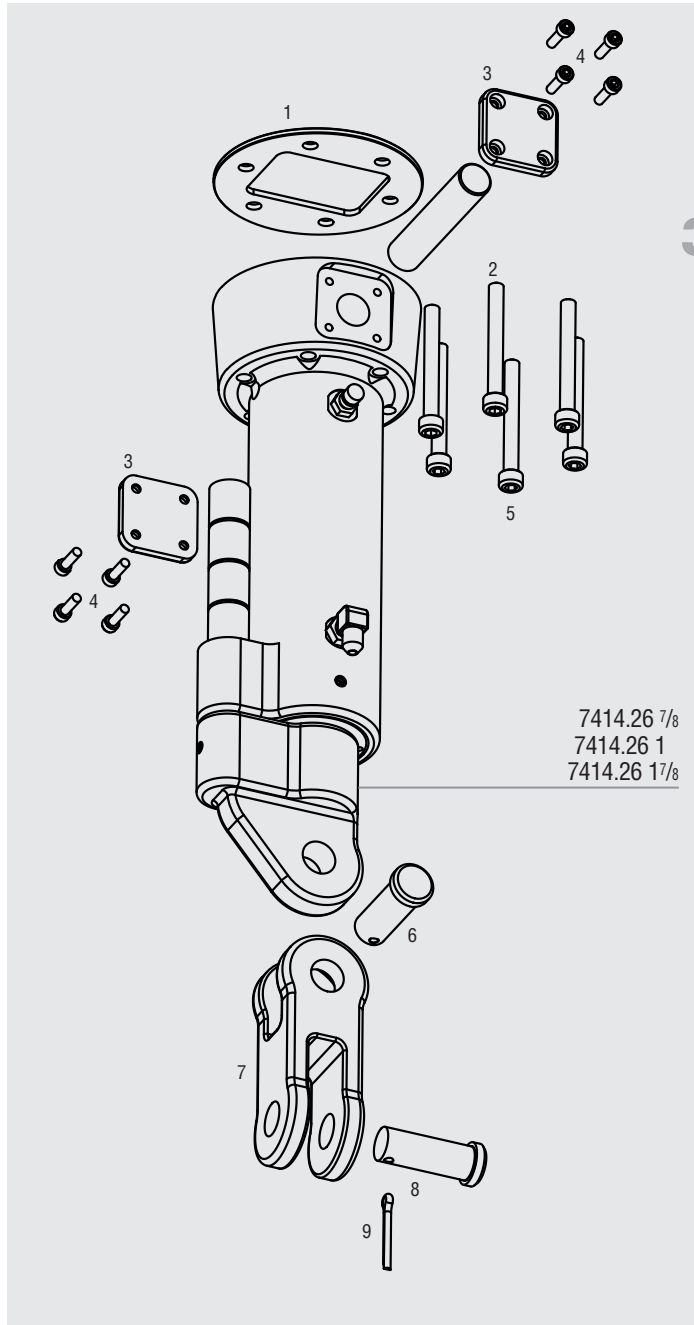


1

| No.               | Description                         | Order    | Part No.           |
|-------------------|-------------------------------------|----------|--------------------|
|                   | Torque Tube Foil Clamp              | 1        | H-45498B           |
|                   | Torque Tube Screws M8 X 125 mm SHCS | 4        | HFS1107            |
|                   | Red Ring                            | 1        | B28169             |
| <b>Lower Unit</b> |                                     | <b>1</b> | <b>7414.15BASE</b> |
| 1                 | Smalley Ring                        | 1        | H-51494            |
| 2                 | Tack Swivel Top Washer              | 1        | H-51493            |
| 3                 | 1/2" Torlon Ball                    | 23       | HBB21              |
| 4                 | Tack Swivel Body                    | 1        | H-51491            |
| 5                 | 1/2" Delrin Ball                    | 23       | HBB22              |
| 6                 | Tack Swivel Lower Washer            | 1        | H-51492            |

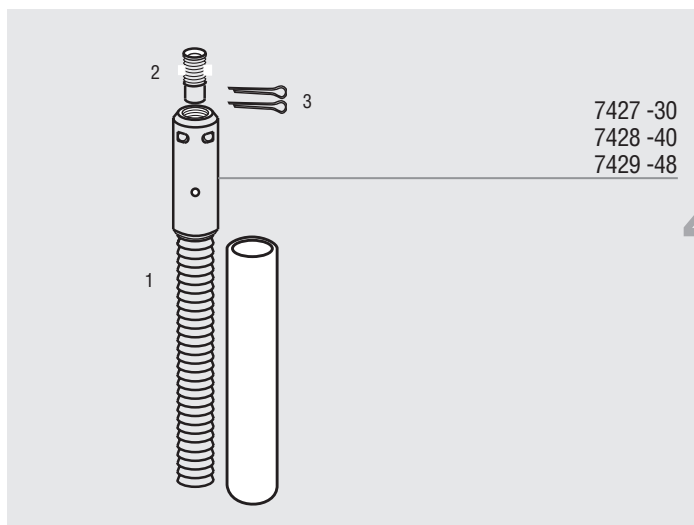
2

| No.                                | Description                            | Order    | Part No.             |
|------------------------------------|--|----------|----------------------|
| <b>Toggle Assembly Hydr 7/8"</b>   |  | <b>1</b> | <b>7414.25 7/8</b>   |
| 1                                  | Toggle Plate Screws M5 X 16 mm SHCS    | 8        | HFS982               |
| 2                                  | Toggle Plate                           | 2        | H-51477              |
| 3                                  | Toggle Housing Insulator               | 1        | H-51475              |
| 4                                  | Cross Pin 7/8"                         | 1        | H-51476              |
| 5                                  | Toggle Housing 7/8"                    | 1        | H-51474              |
| 6                                  | Toggle Housing Screws M8 X 70 mm SHCS  | 6        | HFS1064              |
| 7                                  | Cotter Pin 5/32" X 1.25"               | 1        | HFS203               |
| 8                                  | Clevis Pin 7/8" x 1.96" Grip Length    | 1        | H-42404              |
| 9                                  | Jaw Jaw Toggle 7/8"                    | 1        | H-41489              |
| <b>Toggle Assembly Hydr 1"</b>     |  | <b>1</b> | <b>7414.25 1</b>     |
| 1                                  | Toggle Plate Screws M5 X 16 mm SHCS    | 8        | HFS982               |
| 2                                  | Toggle Plate                           | 2        | H-51477              |
| 3                                  | Toggle Housing Insulator               | 1        | H-51604              |
| 4                                  | Cross Pin 1"                           | 1        | H-52453              |
| 5                                  | Toggle Housing 1"                      | 1        | H-52455              |
| 6                                  | Toggle Housing Screws M8 X 70 mm SHCS  | 6        | HFS1064              |
| 7                                  | Cotter Pin 3/16" X 2"                  | 1        | HFG743               |
| 8                                  | Clevis Pin 1" x 2.231" Grip Length     | 1        | H-45435              |
| 9                                  | Jaw Jaw Toggle 1"                      | 1        | H-45427              |
| <b>Toggle Assembly Hydr 1 1/8"</b> |  | <b>1</b> | <b>7414.25 1 1/8</b> |
| 1                                  | Toggle Plate Screws M5 X 16 mm SHCS    | 8        | HFS982               |
| 2                                  | Toggle Plate                           | 2        | H-51477              |
| 3                                  | Toggle Housing Insulator               | 1        | H-51604              |
| 4                                  | Cross Pin 1 1/8"                       | 1        | H-51605              |
| 5                                  | Toggle Housing 1 1/8"                  | 1        | H-51603              |
| 6                                  | Toggle Housing Screws M8 X 70 mm SHCS  | 6        | HFS1064              |
| 7                                  | Cotter Pin 3/16" X 2"                  | 1        | HFG743               |
| 8                                  | Clevis Pin 1 1/8" x 2.231" Grip Length | 1        | H-45436              |
| 9                                  | Jaw Jaw Toggle 1 1/8"                  | 1        | H-45428              |



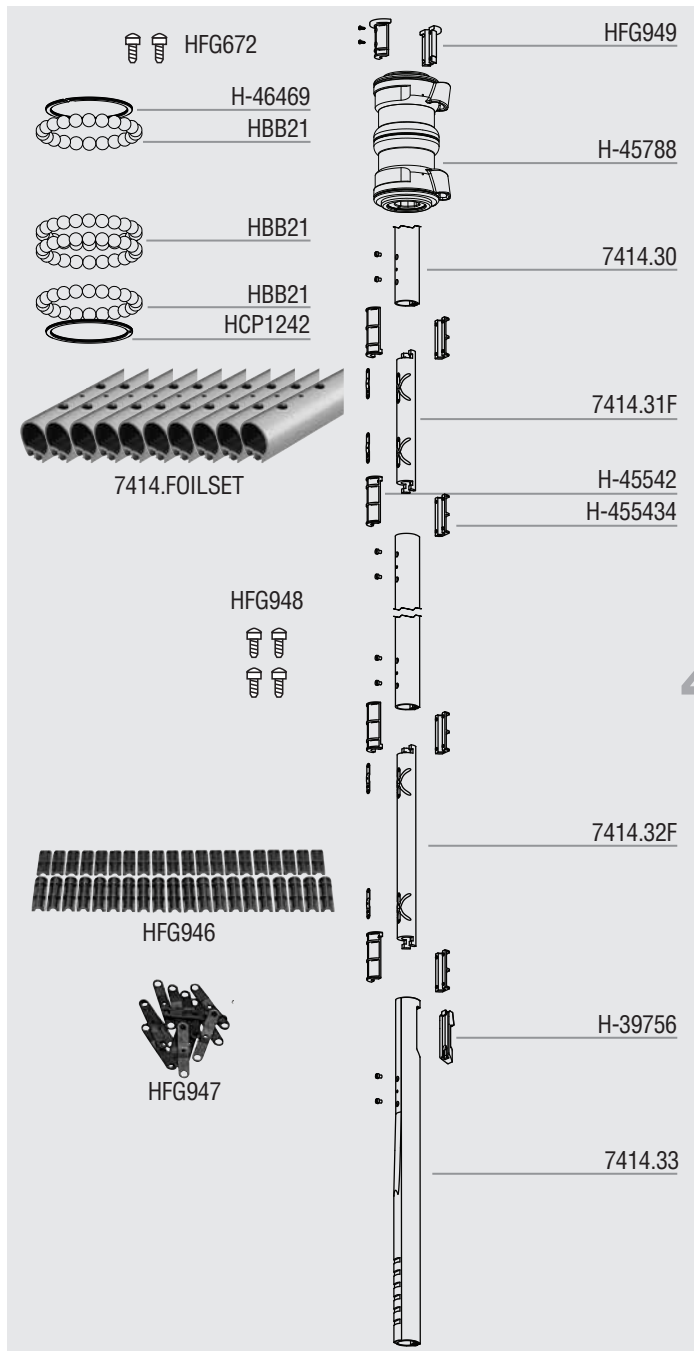
3

| No.                                  | Description                            | Order | Part No. |
|--------------------------------------|--|-------|----------|
| <b>Hydraulic Cylinder—7/8" Pin</b>   |  |       |          |
| 1                                    | Toggle Housing Insulator               | 1     | H-51475  |
| 2                                    | Cross Pin 7/8"                         | 1     | H-51476  |
| 3                                    | Toggle Plate                           | 2     | H-51477  |
| 4                                    | Toggle Plate Screws M5 X 16 mm SHCS    | 8     | HFS982   |
| 5                                    | Toggle Housing Screws M8 X 70 mm SHCS  | 6     | HFS1064  |
| 6                                    | Clevis Pin 7/8" x 1.96" Grip Length    | 2     | H-42404  |
| 7                                    | Jaw Jaw Toggle 7/8"                    | 1     | H-41489  |
| 8                                    | Cotter Pin 5/32" X 1.25"               | 1     | HFS203   |
| <b>Hydraulic Cylinder—1" Pin</b>     |  |       |          |
| 1                                    | Toggle Housing Insulator               | 1     | H-51604  |
| 2                                    | Cross Pin 1"                           | 1     | H-52453  |
| 3                                    | Toggle Plate                           | 2     | H-51477  |
| 4                                    | Toggle Plate Screws M5 X 16 mm SHCS    | 8     | HFS982   |
| 5                                    | Toggle Housing Screws M8 X 70 mm SHCS  | 6     | HFS1064  |
| 6                                    | Clevis Pin 1" x 2.231" Grip Length     | 2     | H-45435  |
| 7                                    | Jaw Jaw Toggle 1"                      | 1     | H-45427  |
| 8                                    | Cotter Pin 3/16" X 2"                  | 1     | HFG743   |
| <b>Hydraulic Cylinder—1 1/8" Pin</b> |  |       |          |
| 1                                    | Toggle Housing Insulator               | 1     | H-51604  |
| 2                                    | Cross Pin 1 1/8"                       | 1     | H-51605  |
| 3                                    | Toggle Plate                           | 2     | H-51477  |
| 4                                    | Toggle Plate Screws M5 X 16 mm SHCS    | 8     | HFS982   |
| 5                                    | Toggle Housing Screws M8 X 70 mm SHCS  | 6     | HFS1064  |
| 6                                    | Clevis Pin 1 1/8" x 2.526" Grip Length | 2     | H-45436  |
| 7                                    | Jaw Jaw Toggle 1 1/8"                  | 1     | H-45428  |
| 8                                    | Cotter Pin 3/16" X 2"                  | 1     | HFG743   |



4

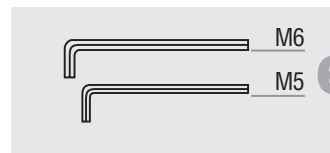
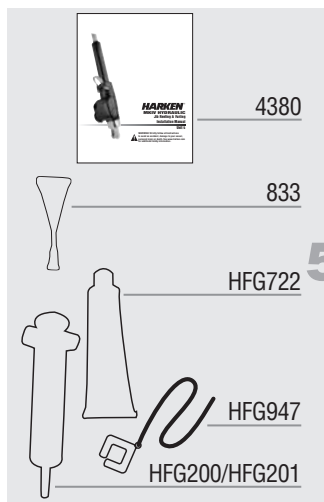
| No.   | Description                 | Order | Part No. |
|---|-----------------------------|-------|----------|
| <b>Rod Adapter Stud w/Nosepiece -30 Rod</b> |                             |       |          |
| 1   | Stud (Main Body)            | 1     | H-41814  |
| 2   | Nosepiece -30               | 1     | H-41813  |
| 3   | Cotter Pin 3/32" x 1.750"   | 2     | HFG319   |
|   | Stud Cap 7/8" ID            | 1     | HFG303   |
| <b>Rod Adapter Stud w/Nosepiece -40 Rod</b> |                             |       |          |
| 1   | Stud (Main Body)            | 1     | H-47146  |
| 2   | Nosepiece -40               | 1     | H-47131  |
| 3   | Cotter Pin (3/32" x 1.750") | 2     | HFG319   |
| <b>Rod Adapter Stud w/Nosepiece -48 Rod</b> |                             |       |          |
| 1   | Stud (Main Body)            | 1     | H-47147  |
| 2   | Nosepiece -48               | 1     | H-47132  |
| 3   | Cotter Pin (3/32" x 1.750") | 2     | HFG319   |



4

| Description                               | Order    | Part No.            |
|---|----------|---------------------|
| <b>Trim Cap Set w/o Screws</b>            | <b>1</b> | <b>HFG949</b>       |
| <b>Trim Cap Screw Set</b>                 | <b>1</b> | <b>HFG672</b>       |
| Trim Cap Screw                            | 2        | HFS1127             |
| <b>Halyard Swivel</b>                     | <b>1</b> | <b>H-45788</b>      |
| Clip/Smally Ring for Balls                | 1        | H-46469             |
| Clip/Smally Ring for Liners               | 1        | HCP1292             |
| Torlon Ball Bearings (1/2")               | 100      | HBB21               |
| <b>Foil Set</b>                           | <b>1</b> | <b>7414.FOILSET</b> |
| Foil (7' / 2.13 m Luff)                   | 10       | 7414.30             |
| <b>Foil (2' / 610 mm) Bottom</b>          | <b>1</b> | <b>7414.33</b>      |
| <b>Foil Screw Set</b>                     | <b>1</b> | <b>HFG948</b>       |
| Foil Screw                                | 48       | HFS1176             |
| <b>Connector</b>                          | <b>9</b> | <b>7414.31F</b>     |
| <b>Bottom Connector (9 3/4" / 247 mm)</b> | <b>1</b> | <b>7414.32F</b>     |
| <b>Connector Bushing Set</b>              | <b>1</b> | <b>HFG946</b>       |
| Connector Bushing Top (Curved/Longer)     | 23       | H-45542             |
| Connector Bushing Bottom (Flat/Shorter)   | 23       | H-45543             |
| <b>Plastic Connector Wedge Set</b>        | <b>1</b> | <b>HFG947</b>       |
| Plastic Connector Wedge                   | 24       | H-45509             |
| <b>Feeder Tab</b>                         | <b>1</b> | <b>H-45482</b>      |
| <b>Screw</b>                              | <b>1</b> | <b>HFS1175</b>      |

4



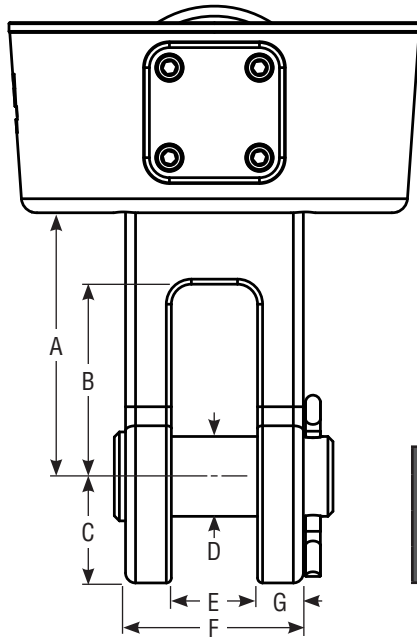
6

5

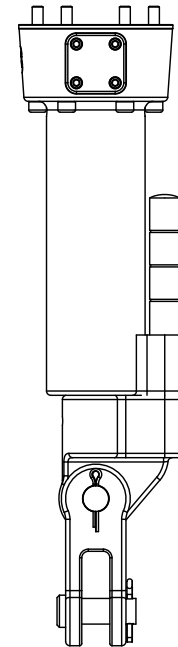
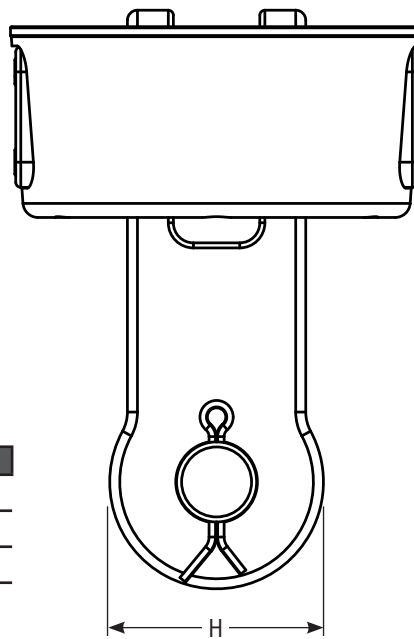
| Description                  | Order    | Part No.         |
|------------------------------|----------|------------------|
| <b>Instruction Manual</b>    | <b>1</b> | <b>4380</b>      |
| <b>Blue Loctite®</b>         | <b>1</b> | <b>833</b>       |
| <b>5200 Adhesive Set</b>     | <b>1</b> | <b>HFG725</b>    |
| 5200 Marine Adhesive Sealant | 1        | HFG722           |
| Injector                     | 1        | HFG200<br>HFG201 |
| <b>Prefeeder</b>             | <b>1</b> | <b>947</b>       |

6

| Description           | Order | Part No. |
|-----------------------|-------|----------|
| <b>Allen Wrenches</b> |       |          |
| M6                    | 1     | HFG644   |
| M5                    | 1     | HFG643   |



| Unit | Part No.      |
|------|---------------|
| 4H   | 7414.25 7/8   |
|      | 7414.25 1     |
|      | 7414.25 1 1/8 |



| Unit | Part No.      |
|------|---------------|
| 4H   | 7414.26 7/8   |
|      | 7414.26 1     |
|      | 7414.26 1 1/8 |

**Toggle Dimensions\***

| A                                    |       | B     |       | C     |       | D     |       | E     |       | F     |       | G     |       | H     |       |
|--------------------------------------|-------|-------|-------|-------|-------|-------|-------|-------|-------|-------|-------|-------|-------|-------|-------|
| in                                   | mm    | in    | mm    | in    | mm    | in    | mm    | in    | mm    | in    | mm    | in    | mm    | in    | mm    |
| <b>7414.25 7/8, 7414.26 7/8*</b>     |       |       |       |       |       |       |       |       |       |       |       |       |       |       |       |
| 2.600                                | 66.05 | 2.000 | 50.81 | 1.156 | 29.37 | 0.868 | 22.05 | 0.940 | 23.88 | 1.938 | 49.23 | 0.499 | 12.67 | 2.312 | 58.72 |
| <b>7414.25 1, 7414.26 1</b>          |       |       |       |       |       |       |       |       |       |       |       |       |       |       |       |
| 3.292                                | 83.61 | 2.400 | 60.96 | 1.330 | 33.78 | 0.997 | 25.32 | 1.076 | 27.33 | 2.220 | 56.39 | 0.572 | 14.53 | 2.660 | 67.56 |
| <b>7414.25 1 1/8, 7414.26 1 1/8*</b> |       |       |       |       |       |       |       |       |       |       |       |       |       |       |       |
| 3.739                                | 94.97 | 2.700 | 68.58 | 1.507 | 38.28 | 1.122 | 28.50 | 1.210 | 30.73 | 2.524 | 64.11 | 0.657 | 16.69 | 3.014 | 76.56 |

\*Toggle dimensions apply to standard toggle and cylinder option except A does not apply to cylinder